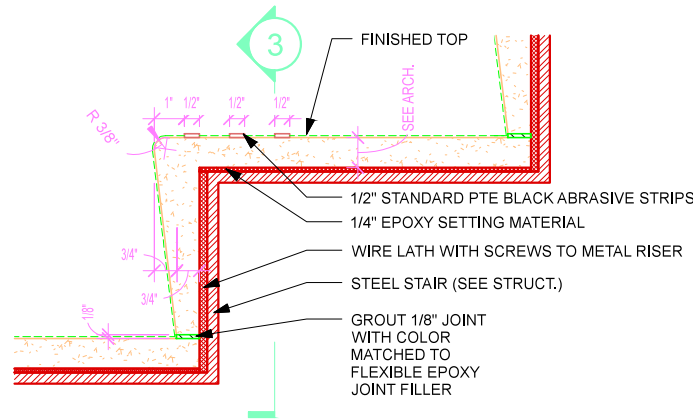
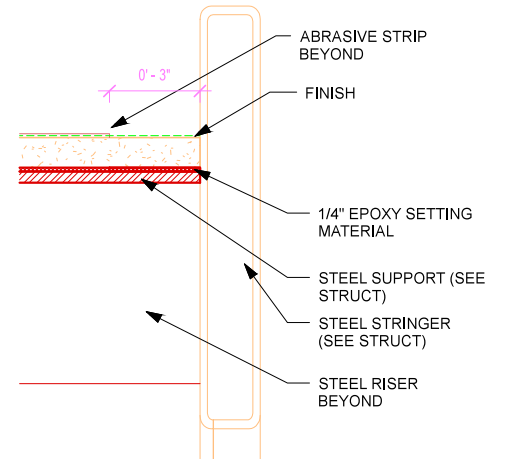


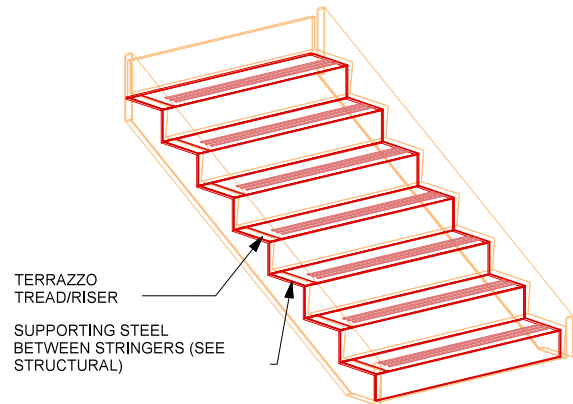
① Stair Section
3/4" = 1'-0"



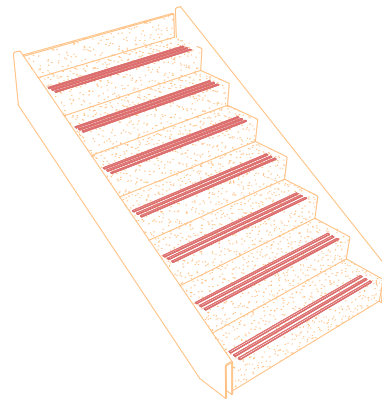
② Tread Detail
3" = 1'-0"



③ Tread Detail
3" = 1'-0"



④ Transparent Axon



⑤ Perspective



Precast Terrazzo Enterprises, Inc.
1107 N. New Hope Rd. Raleigh NC 27610
919-231-6200

DETAIL: Epoxy Terrazzo Stair - Fully Supported
Tread/Riser on Stringer