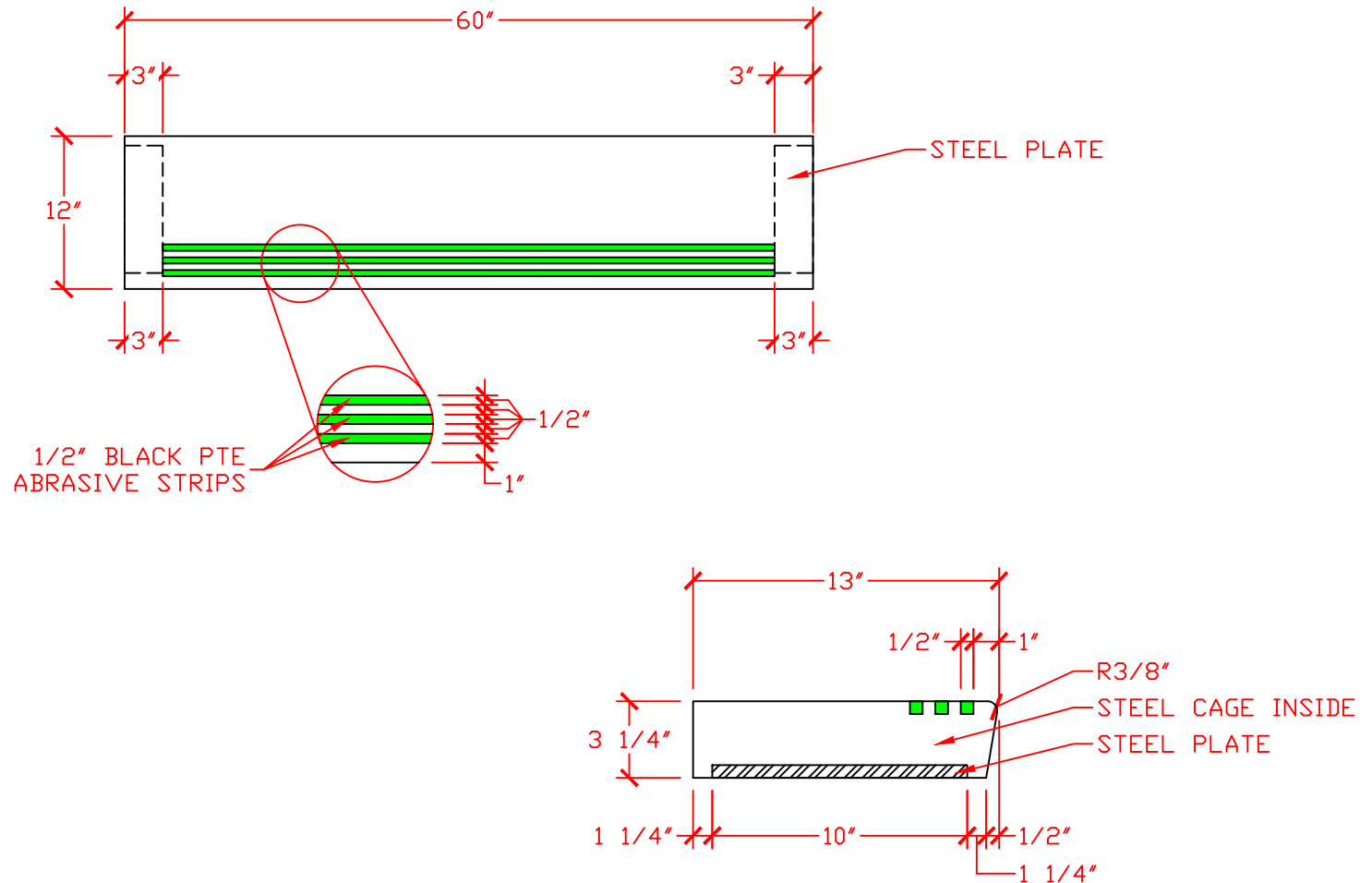
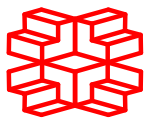


# SELF-SUPPORTING FLAT TREAD



**SAMPLE #**



PRECAST  
TERRAZZO  
ENTERPRISES, INC

*We are quality*

**JOB NAME:**

**JOB #**

**PIECES:**

**DATE SUBMITTED:**

**SHEET #**

**CUSTOMER:**

**APPROVAL SIGNATURE:**

**DATE:**