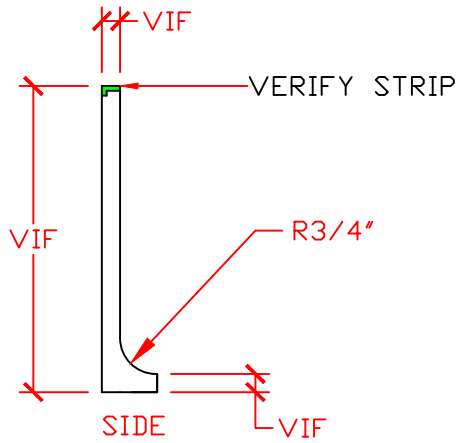
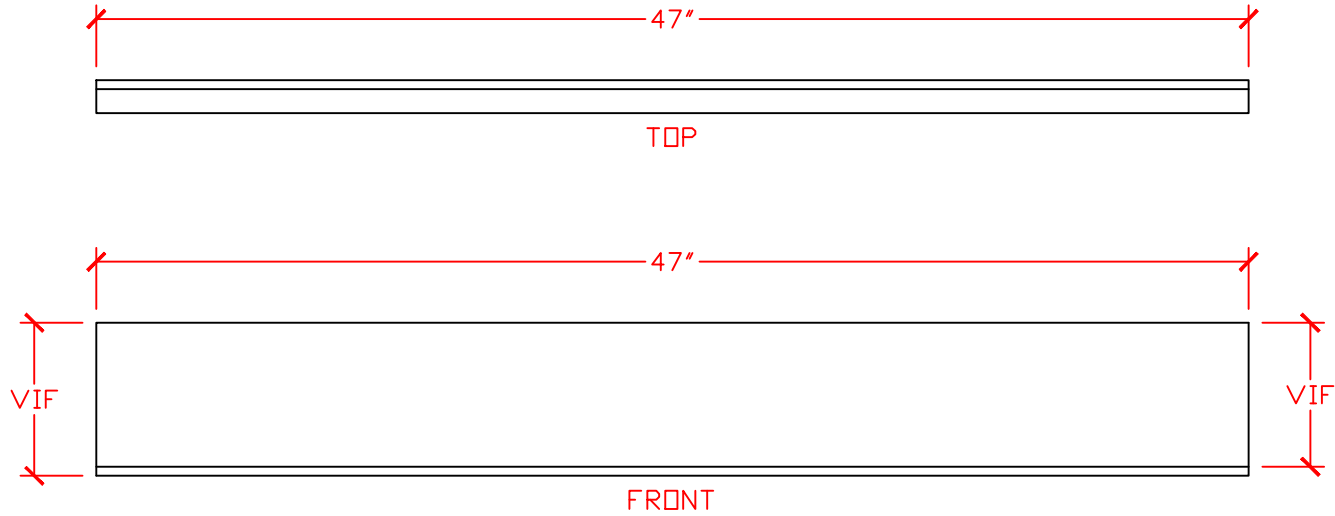
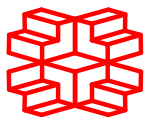


COVE BASE



SAMPLE #

TBD



PRECAST
TERRAZZO
ENTERPRISES, INC

We are quality

JOB NAME:

JOB #

####

PIECES:

DATE SUBMITTED:

SHEET #

1 OF -

CUSTOMER:

APPROVAL SIGNATURE: _____

DATE: _____