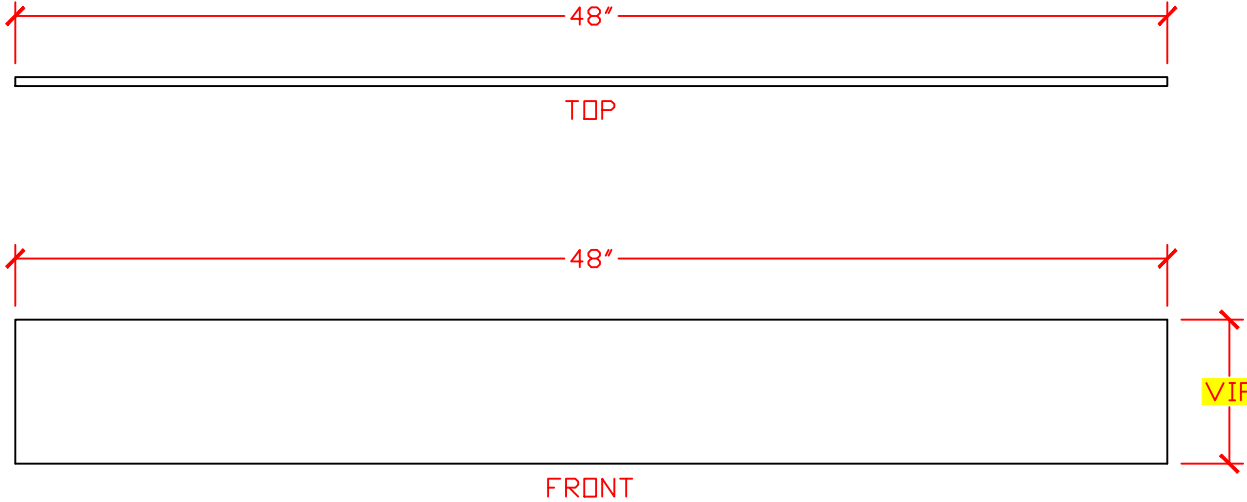
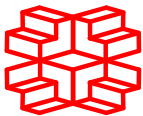


FLAT BASE



SAMPLE #
TBD



PRECAST
TERRAZZO
ENTERPRISES, INC
We are quality

JOB NAME:

JOB #

PIECES:

DATE SUBMITTED:

SHEET #

####

1 OF -

CUSTOMER:

APPROVAL SIGNATURE: _____ **DATE:** _____